

# ST-100

## Smart Card Terminal

- **Unmatched reliability with fully inserted card operation**
- **No need for separate power supply**

### Main Applications

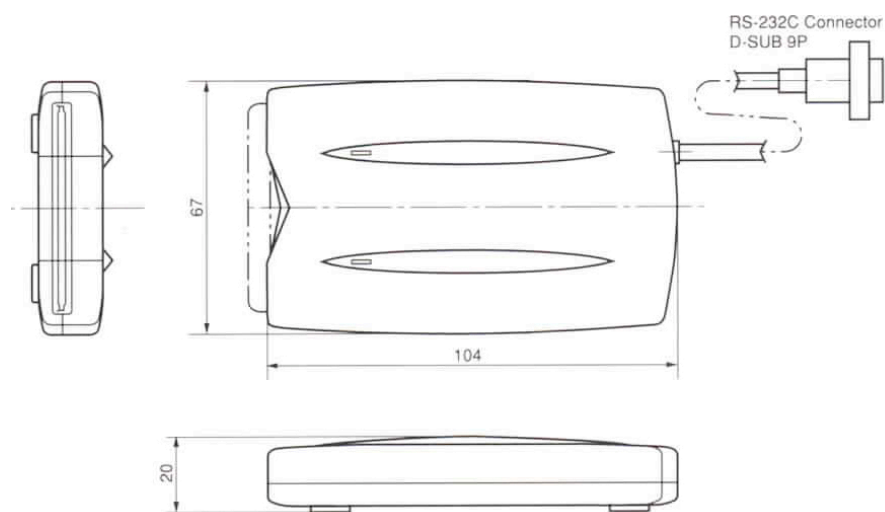
- Electronic Commerce
- Data search, Electronic Payment, etc.
- Home Banking

### Main Features

- High reliability ensured by fully inserted card operation with push-in/push-out mechanism.
- No DC power supply required.
- Lightweight and compact size for easy, flexible installation.
- PC installation fastener included as standard accessory.
- RS232C serial interface.
- Ultra low cost.



|                     |  |
|---------------------|--|
| Operating method    | Manual insertion, Manual ejection.<br>Push IN/push OUT         |
| Applicable cards    | Card complying with ISO/IEC 7816<br>T=0, T=1                   |
| Power supply        | Not necessary (Power supplied from RS232C signal lines)        |
| Operating condition | Temperature : 5°~55°C<br>Humidity : 10~90%RH (No condensation) |
| Operating life      | Up to 100,000 passes in normal use                             |
| Interface           | RS232C   |
| Weight              | Approx. 120g (including 50g of connector cable)                |
| Dimensions          | 104 (D) x 67 (W) x 20 (H) mm                                   |



Note : All specifications are subject to change without notice



Tricom Card Technologies, Inc.,  
2340 Sepulveda Blvd., Suite E  
Torrance, CA 90501 U.S.A.

<http://tricomcard.com>  
sales@tricomcard.com  
Phone : 310-784-0585, Fax : 310-891-0938